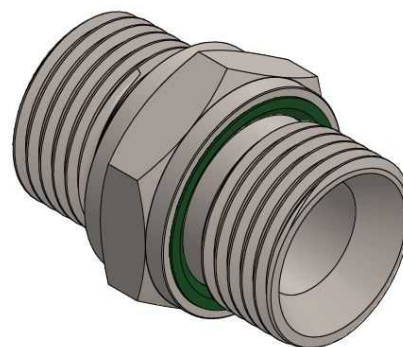
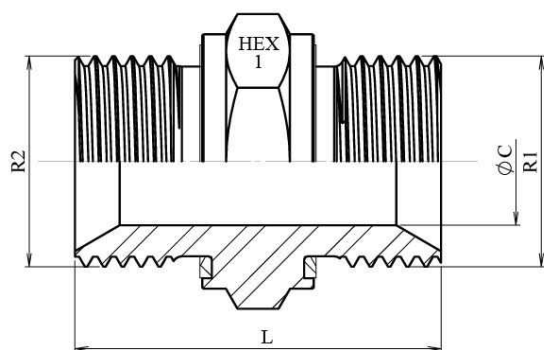


Adaptadores BSP

Uniones rectas macho

Adaptador macho - macho BSP con 60° con junta encastrada

Acero Inoxidable AISI 316-L



Artículo	R1	R2	L	HEX 1	ØC
Z101004WD	1/4" BSP	1/4" BSP	31	19	6
Z101006WD	3/8" BSP	3/8" BSP	35	22	8
Z101008WD	1/2" BSP	1/2" BSP	42,5	27	11
Z101012WD	3/4" BSP	3/4" BSP	45	32	16
Z101016WD	1" BSP	1" BSP	53	41	22